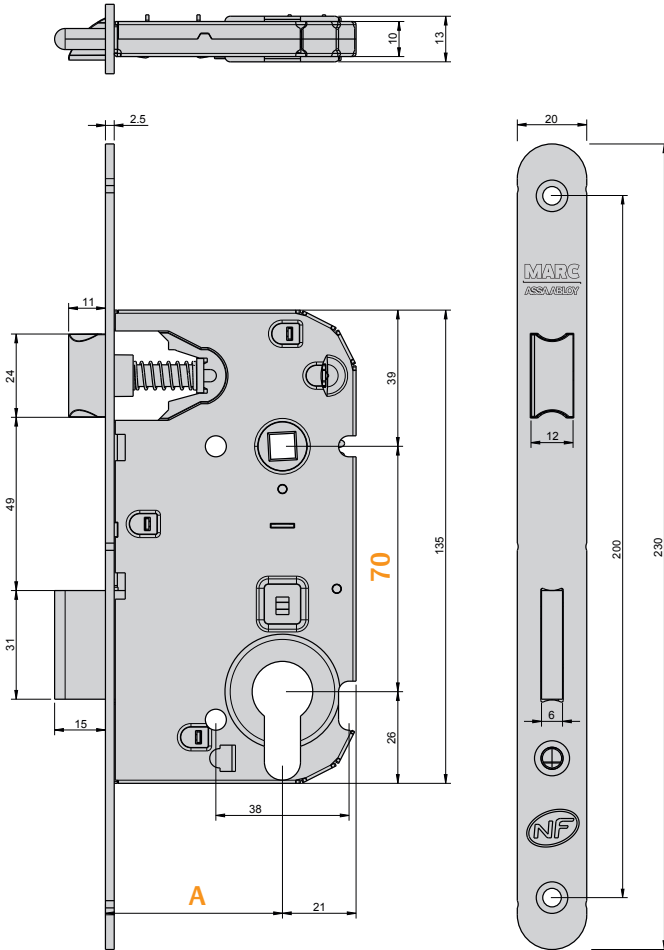


SÉRIE 7190 CIL



Certificação NF (fechadura + chapatesta)*
NF Certification (lock + strike plate)*
Certification NF (serrure + gâche)*
NF-Zertifikat (Schloss + Schliesblech)*

* Mod. HT 719 G1/2mm

Niveau 1

Ref. NF040: www.marque-nf.com
AFNOR Certification

NORMA • STANDARD • NORME • NORM • EN12209



40	70	7
50		8